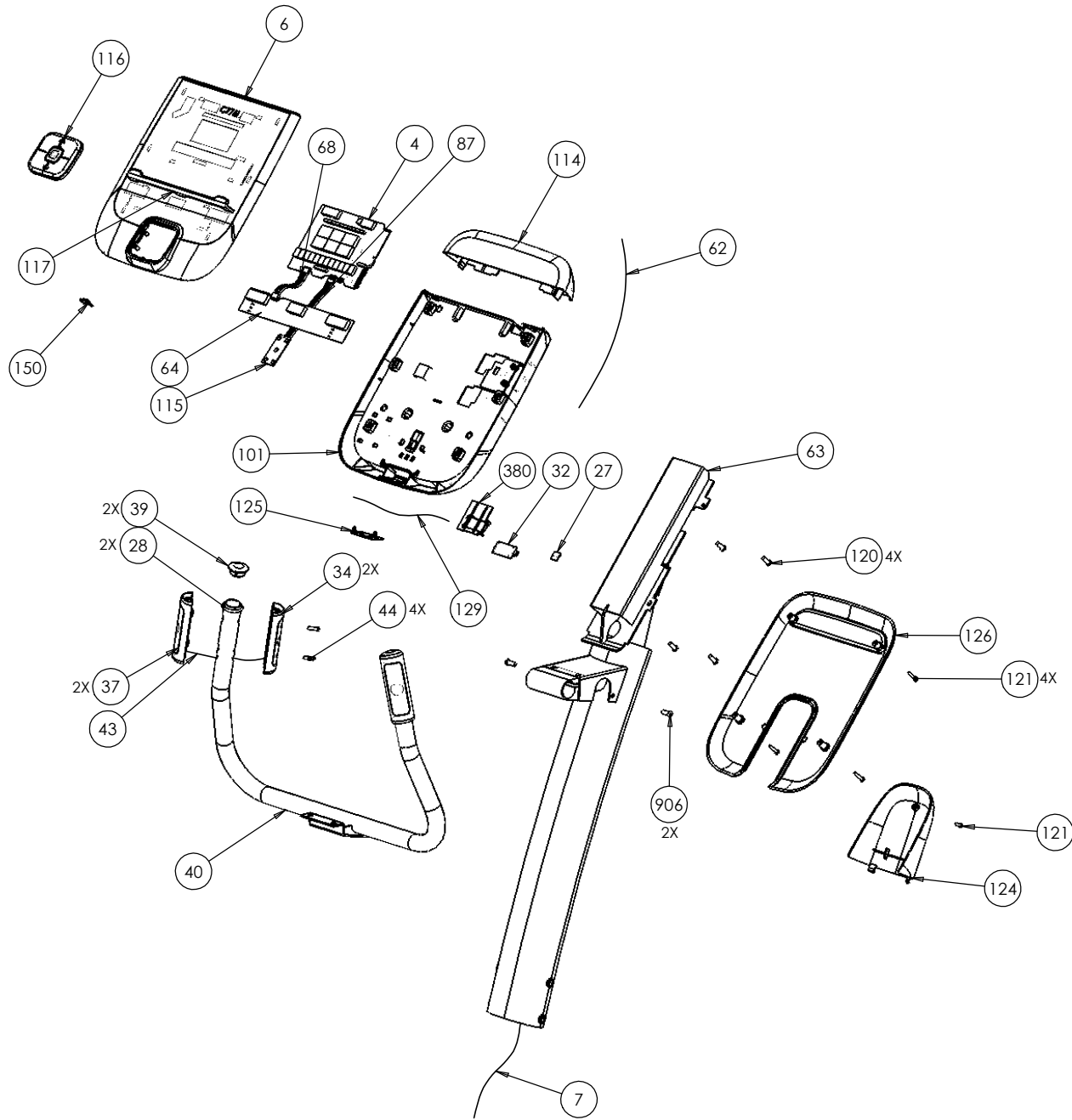
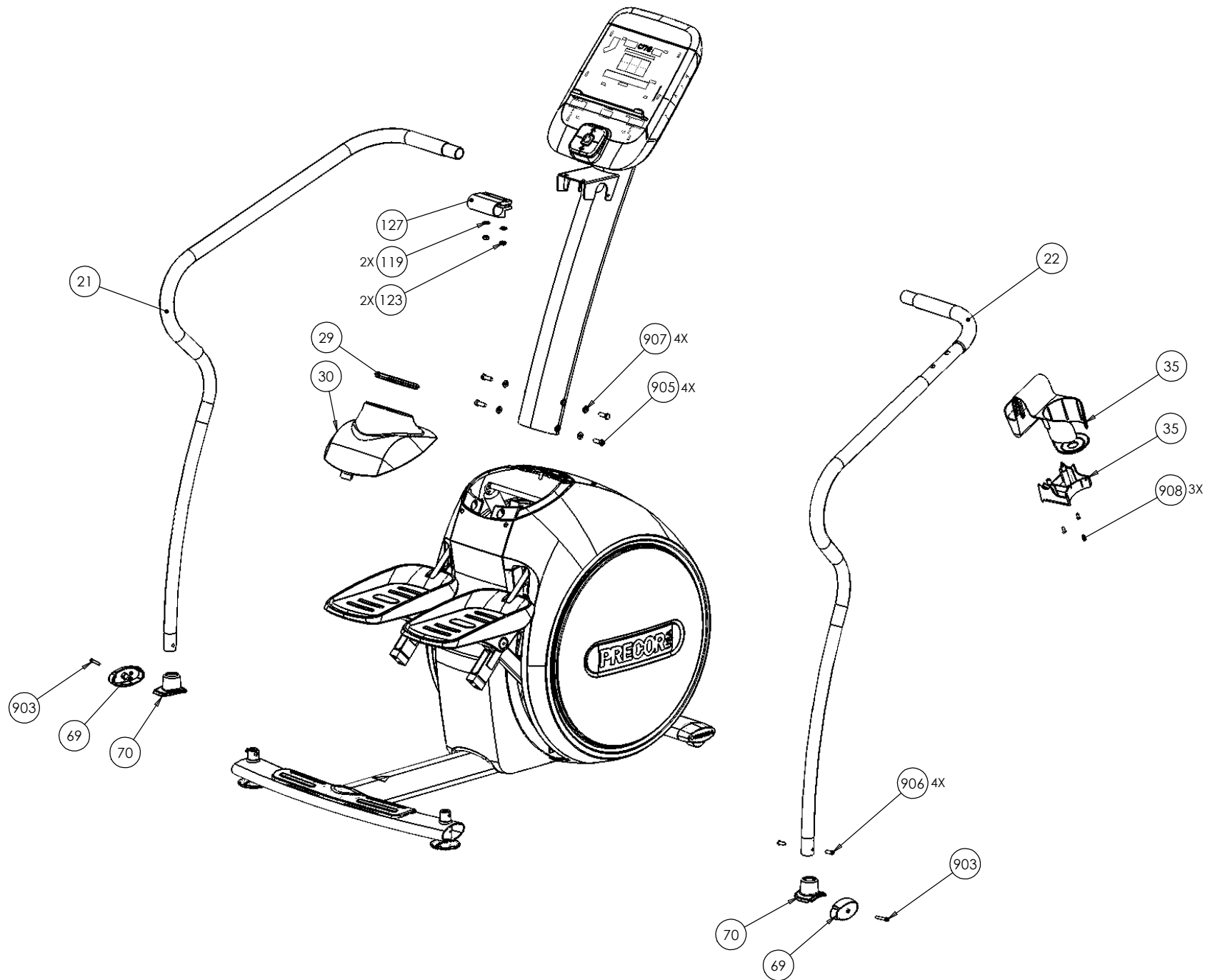
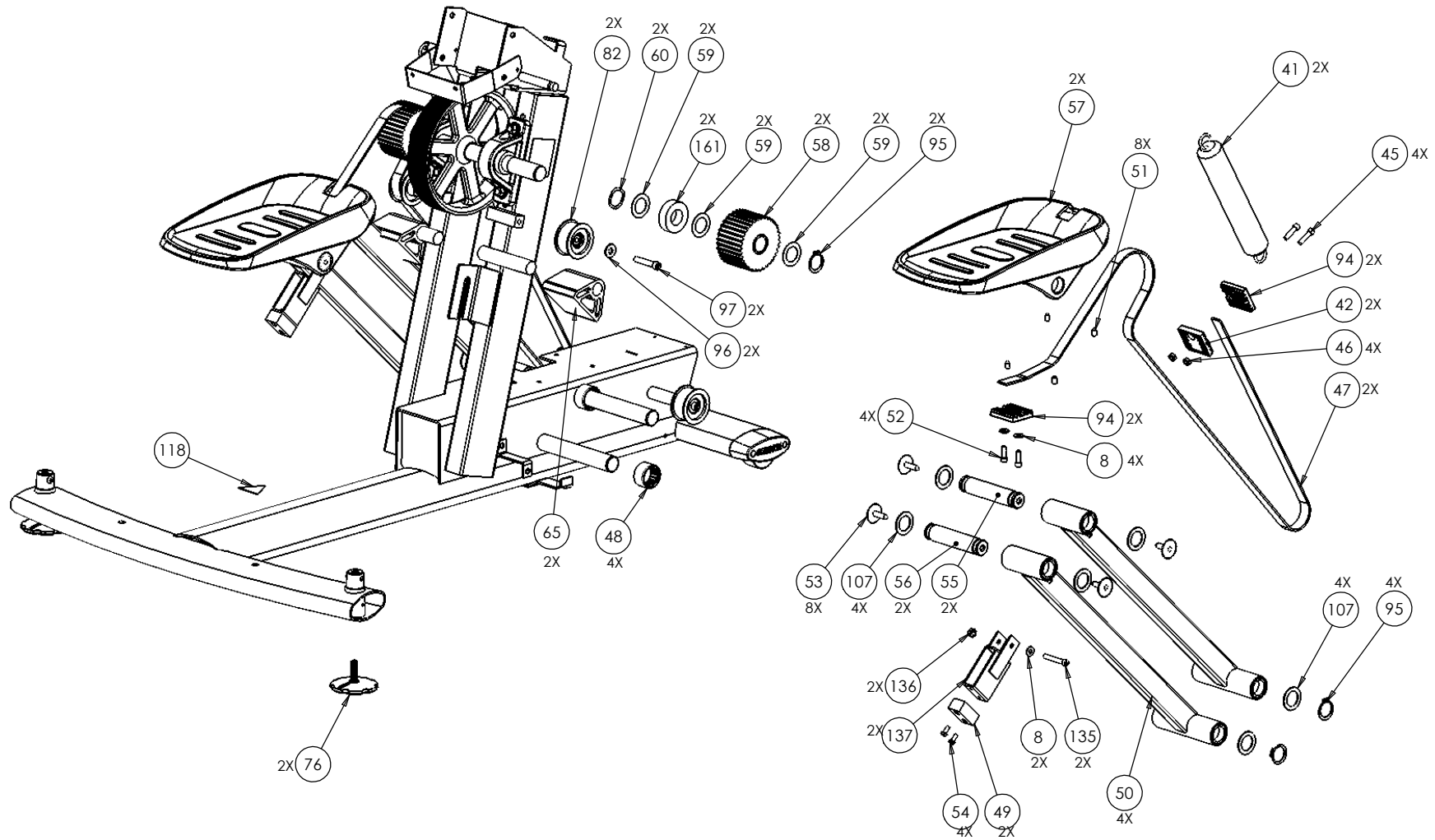
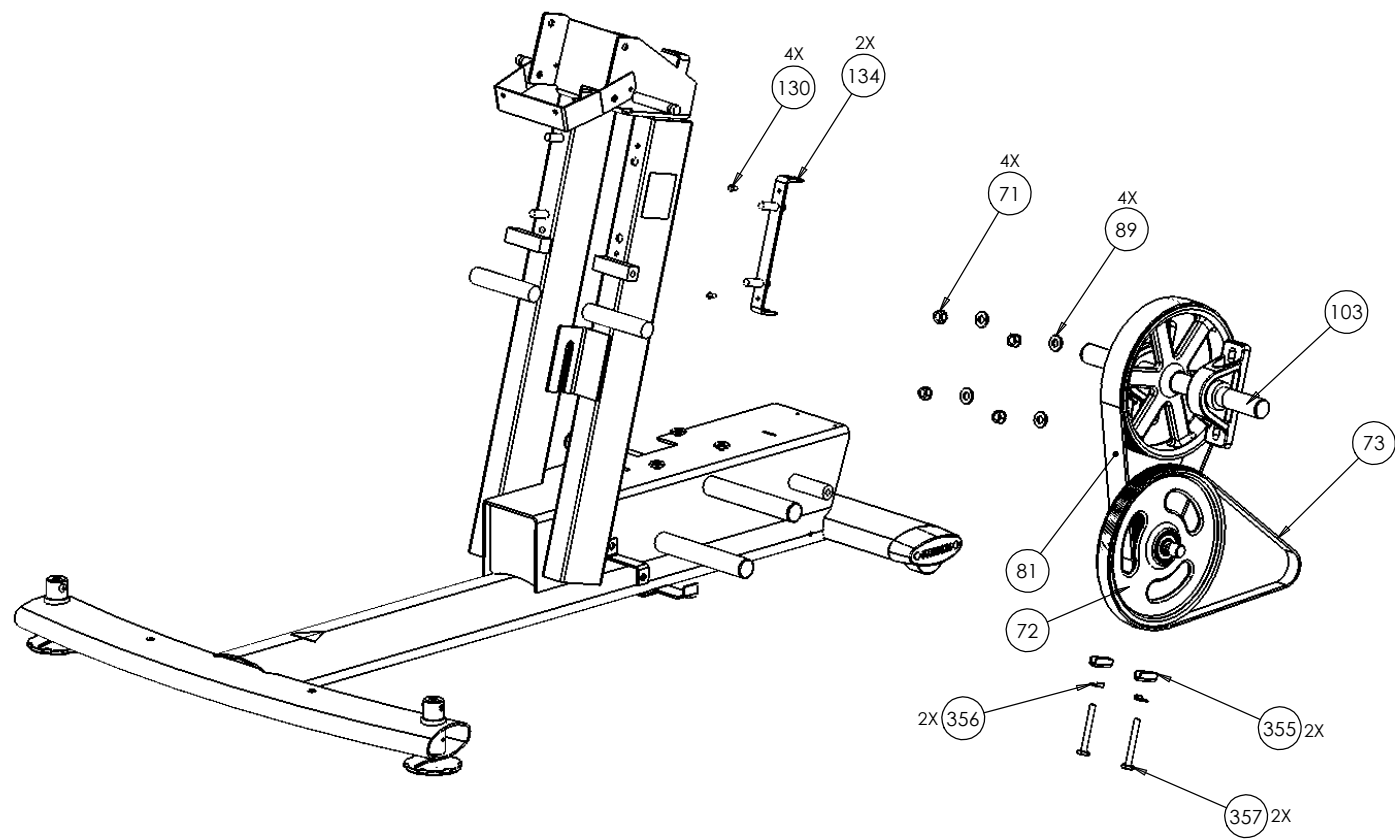


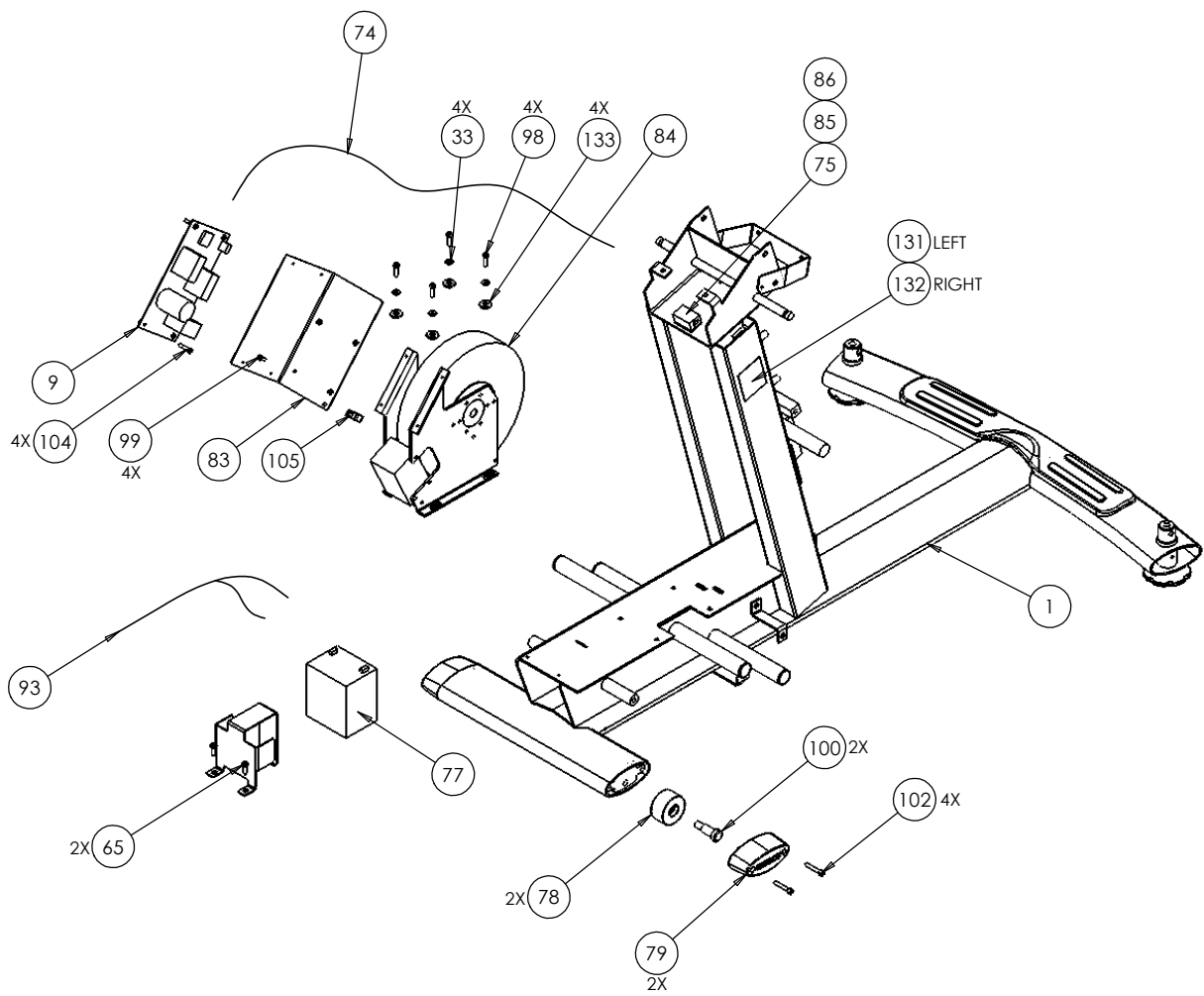
C7761	P/N : 49026-101	SUBREV : H
DRAWN BY : M. HAMILTON	DATE : 12.05.07	SHEET 1 OF 7

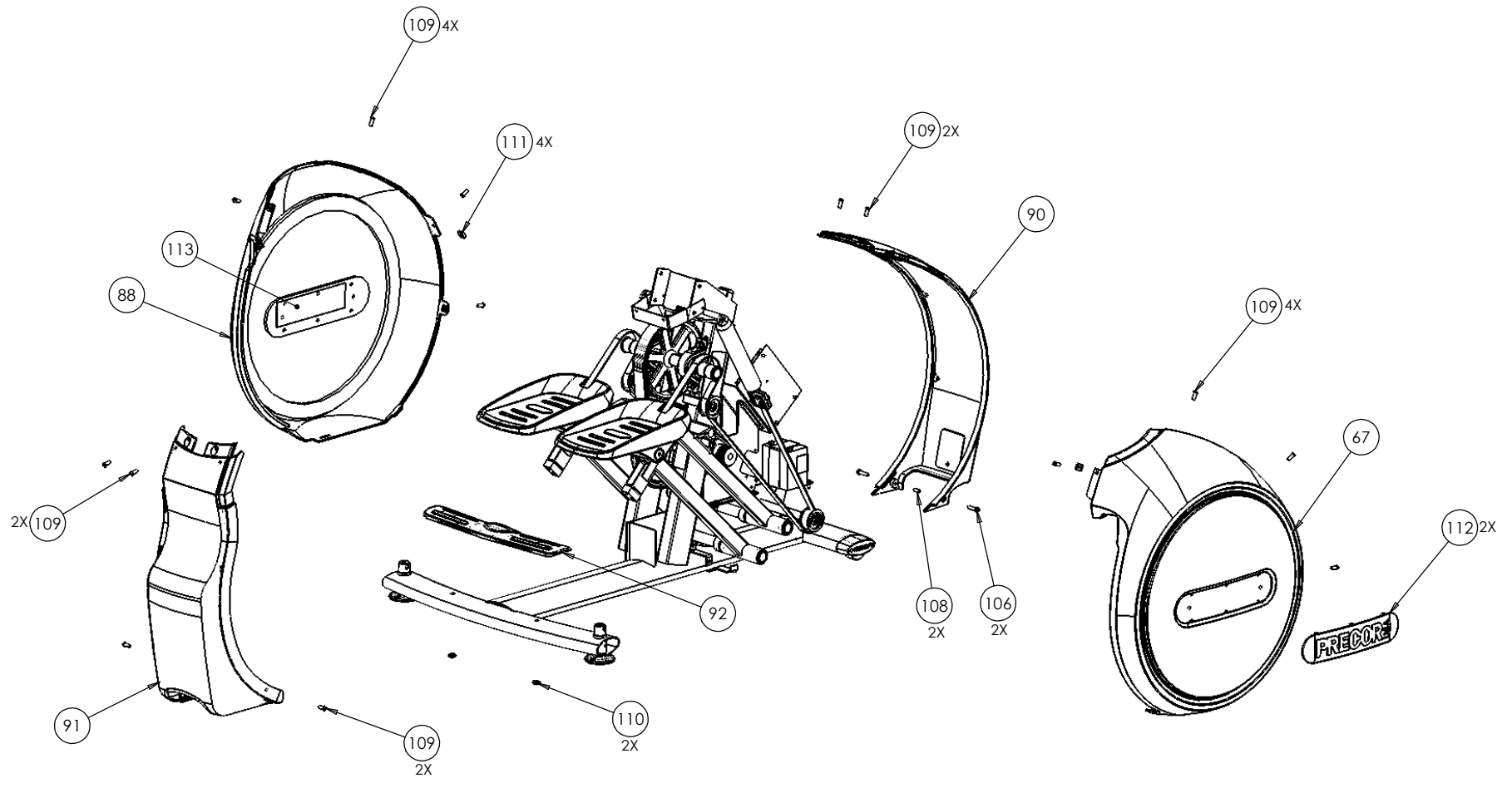












C776i Stairclimber (serial code AABY, ADEZ, AEWZ)

Part Number	Description	Bubble Number
PPP00000048434403	PCA,DISPLAY,CL	4
PPP00000048773111	ASSEMBLY, DISPLAY PANEL/LABELS, C77	6
PPP00000044905042	ASSY,CBL,MOD,8P8C,1-1,42"	7
PPP000000WNZN026006	WASHER,FLT,1/4X.625X.063,BLK CVS	8
PPP00000049046101	ASSY, LOWER PCA & SW, SP CLIMBER, D	9
PPP00000049076101	ASSY, HANDRAIL, LEFT, C776I,PT,TITA	21
PPP00000049076102	ASSY, HANDRAIL, RIGHT, C776I,PT,TIT	22
PPP00000012262102	WIRE CLIP,FOAM TAPE BACK	27
PPP000000048410400	CPU, PGMD, CLIMBER SELF POWER, LOWE	27
PPP000000010115113	O-RING, ROUND, 1.25ID X .139	28
PPP000000048378101	GROMMET, DISPLAY TUBE	29
PPP000000048377101	COVER, TOP, C776I	30
PPP000000049401102	BOARD, CHR & WIRELESS, SALUTRON	32
PPP0000WALCN025006	WASHER, SPLIT LOCK, 1/4 MED,	33
PPP000000042713102	HHHR SENSOR, TOP	34
PPP000000049364101	ASSY, WATER BOTTLE HOLDER	35
PPP000000042714102	HHHR SENSOR,BOTTOM	37
PPP000000BACN031075	BOLT, CARRIAGE, 5/16-18X3/4,GR 5,ZN	38
PPP000000042730101	PLUG, HHR, HANDLE BAR END	39
PPP000000048364101	WELDMENT,HANDLEBAR,VERTICAL,C776I,P	40
PPP000000033970101	SPRING, EXT. 14IN X 1 OD, C760	41
PPP000000048551102	CLAMP, BELT C776I, BOTTOM	42
PPP000000048421032	ASSY, CABLE, HHR GRIP, W/SHIELD,32	43
PPP000000TCNN016075	SCREW, BTHD, 8-32X.75,SS	44
PPP000000CAME025100	SCREW,SKHD,1/4-20X1,ZN (MECH PLATIN	45
PPP000000KACN025013	LOCKNUT,HALF,1/4-20,ZN	46
PPP000000010737105	BELT, DRIVE, STAIRARM C776I, 1584 M	47
PPP000000031514101	COLLAR, SHORT SPACER	48
PPP000000049768101	1 X 1.75 X 0.75 CLIMBER SUPPORT BUM	49
PPP000000048485102	ASSY,STAIR ARM,C776I	50
PPP000000EATE025050	SCREW,SET,1/4-20X1/2",BLK SHARPERIZ	51
PPP000000CCNN025075	SCREW, SKHD,1/4-20X3/4,SS,LK	52
PPP000000048486101	RIVET,PLASTIC, CHRISTMAS TREE	53
PPP000000PANCN019050	SCREW,S/T,#10-32X1/2,PANHD,PHIL,TRI	54
PPP000000048366101	SHAFT, STAIRARM PEDAL, LONG	55
PPP000000048367101	SHAFT, STAIRARM PEDAL, SHORT	56
PPP000000048341101	PEDAL, DIE CAST ALUMINUM,PAINT	57
PPP000000044779101	ASSEMBLY, HTD PULLEY	58
PPP0000WAPNN100003	WASHER, THRUST, 1.562 OD X .030	59
PPP0000WAHNN105002	WASHER, WAVE, 1.351 OD X 1.051	60
PPP000000049717016	ASSY, CABLE, HHR TO DISPLAY, 16"	62

PPP00000057022101	ASSY, DISPLAY MOUNT, C776I (DISPLAY	63
PPP000000048947102	ASSY, PCA & SW, DISPLAY-C, METRICS,	64
PPP00000PKCN019075	SCREW,S/T,#10X.75,WSHHXHD,ZN	65
PPP000000049332101	BUMPER, STAIR ARM STOP, UPPER,WIDE	66
PPP000000048475104	ASSY, SIDE COVER, RIGHT, C776I	67
PPP000000048602005	ASSY,CABLE,6C,.1 CTR,1-1,GOLD,5"	68
PPP000000048380101	CAP,ELLIPTICAL TUBE, CLIMBER	69
PPP000000048381101	HANDLEBAR TRANSITION COVER, CLIMBER	70
PPP00000KGCN038033	LOCKNUT, STARWASHER, 3/8-16	71
PPP000000045974101	ASSY,STEP-UP,17:1 DRIVE,EFX	72
PPP000000010217130	BELT, DRIVE, POLY V (DAYCO 27-0628)	73
PPP000000044905014	ASSY,CBL,MOD,8P8C,1-1,SILVER,14"	74
PPP000000011415101	COUPLER,MOD,8P8C,INLINE	75
PPP000000039916102	FOOT, ADJUSTING	76
PPP000000012258040	BATTERY,SLA,12V,4AH,.187 TABS	77
PPP000000039744102	WHEEL, TRANSPORT, MOLDED	78
PPP000000048348101	BRACKET,GENERATOR MOUNT,LEFT	78
PPP000000039786101	WHEEL, COVER, REAR	79
PPP000000045437105	BRACKET,BATTERY,SELF POWERED BIKE	80
PPP000000010217142	BELT, DRIVE, 365J 16 POLY V	81
PPP000000048368101	PULLEY,IDLER,FLANGED, 2"	82
PPP000000049221101	BRACKET,BOARD, SP, VERT MOUNT CLIMB	83
PPP000000048370103	ASSEMBLY,SP,GENERATOR,6302 BRG,AMX,	84
PPP000000057024101	GENERATOR KIT, C776I	84.01
PPP000000010762109	VELCRO, BLACK LOOP,1.50 X 1.00	85
PPP000000010762110	VELCRO, BLACK HOOK,1.50 X 1.00	86
PPP000000048602009	ASSY,CABLE,6C,.1 CTR,1-1,GOLD,9"	87
PPP000000048475103	ASSY, SIDE COVER, LEFT, C776I	88
PPP00000WRCN038011	WASHER,GRADE 8,3/8,13/32 ID,13/16OD	89
PPP000000048375101	COVER, FRONT, C776I	90
PPP000000048376102	COVER, BACK, C776I	91
PPP000000048379101	COVER, TRANSITION, CLIMBER	92
PPP000000045334015	ASSY,CBL,18AWG,FLAG QC CONN,15"	93
PPP000000048551101	CLAMP, BELT C776I, TOP	94
PPP00000AAHN100004	RING,RETAINER,EXTERNAL,1	95
PPP00000WCCN031008	WASHER, FLT, 5/16X.875X.083	96
PPP00000CAMN031175	SCREW,SKHD,5/16-18X0.75,ZN (MECH PL	97
PPP00000CAMN025063	SCREW,SKHD,1/4-20X5/8,ZN (MECH PLAT	98
PPP00000PGTN016050	SCREW,S/T,#8X1/2,TRS,PHIL,BLK SHARP	99
PPP00000RANN038100	SCREW,SHLD,1/2 X 1 ,HEXSC	100
PPP000000048707101	BACK PANEL, DISPLAY-C, W/O USB	101
PPP00000CATN019125	SCREW, SKHD,10-24 X 1.25,BLK SHARPE	102
PPP000000048373102	ASSEMBLY, DRIVE, INPUT SHAFT	103

PPP0000PMTN016075	SCREW,TCS,#8X3/4,PHIL,BLK SHARPERIZ	104
PPP000000011278101	CABLE CLAMP,INSERT	105
PPP0000PANTN025125	SCREW, SELF TAPPING, 1/4-20 X 1.25,	106
PPP0000WACBN100006	WASHER, 1.50 OD X 1.00 ID X	107
PPP000000010196120	SPACER, NYLON, .50 OD, .26 ID, .75	108
PPP00000TFTN025075	SCREW,BTHD,1/4-20X3/4,BLK SHARPERIZ	109
PPP000000012647101	PALNUT, SELF THREADING NUT, REG. TY	110
PPP000000010136102	CLIP,U TYPE, TINNERMAN, 1/4-20	111
PPP000000039792101	LABEL, EFX COVER, REAR	112
PPP000000048465101	LABEL, WIRING DIAGRAM ,C776I	113
PPP000000048713101	TOP, DISPLAY-C, BLANK	114
PPP000000049003401	PCA, SNAPDOME D-PAD	115
PPP000000048770111	D-PAD, 3 BUTTON, CLIMBER, ICON	116
PPP000000048712102	BOOK SUPPORT, DISPLAY-C, MAKROBLEND	117
PPP000000047545101	LABEL, CAUTION PINCH POINTS	118
PPP00000WBCN031007	WASHER,FLT,5/16X.688X.065, ZN	119
PPP00000TFTN025075	SCREW,BTHD,1/4-20X3/4,BLK SHARPERIZ	120
PPP00000MGCN016100	MACHINE SCREW, 8-32 X 1, PAN HEAD	121
PPP00000KMCN031023	NUT, HEX, 5/16-18, ZINC	123
PPP000000049042101	DISPLAY MOUNT COVER, CLIMBER	124
PPP000000048714101	ACCESS PANEL, HEADPHONE JACK	125
PPP000000048708101	REAR COVER, DISPLAY-C, W/O HANDLEBA	126
PPP000000048386101	CLAMP, HANDLEBAR MOUNT,C776I,PT	127
PPP000000047341012	ASSY, CABLE, HHR PCA, W/SHIELD, 12	129
PPP00000MHTN019038	SCREW,MCH,10-32X3/8,PANHD,PHIL,BLK	130
PPP000000049106101	LABEL, BELT ROUTING LEFT, CLIMBER	131
PPP000000049106102	LABEL, BELT ROUTING RIGHT, CLIMBER	132
PPP00000WBCN025006	WASHER,FLT,1/4X.500X.063,ZN (MECH	133
PPP000000044472103	PLATE, STUD, COMM, EFX RX	134
PPP00000CATN025175	SCREW,SKHD,1/4-20X1.75,BLK SHARPERI	135
PPP00000KGCN025020	LOCKNUT,STARWASHER,1/4-20,ZN	136
PPP000000049784102	WELDMENT, CLIMBER SUPPORT, PAINT	137
PPP000000049805101	D-PAD PCA LOCK CLIP	150
PPP000000049290101	SPACER, 776I, DRIVE INPUT	161
PPP000000010123102	CABLE TIE, 3-7/8 LONG,WHITE,NYL	162
PPP000000057019101	RETRO KIT, C776I SPRING SUPPORT	200
PPP000000059084101	CLIMBER SHAFT COLLAR UPGRADE KIT	200
PPP000000057027101	CS KIT, C776I STAIRARM BUMPER KIT	210
PPP000000057030101	CS KIT, C776I HEART RATE PCA REPLAC	220
PPP000000037385101	BRACKET, TENSIONER	355
PPP000000037855103	TAB, LOCKING	356
PPP00000HACN025250	SCREW,1/4-20X2-1/2,HEX,GR 2,ZN	357
PPP000000049744102	OSUPPORT, PLASTIC HR ADAPTER	380

PPP00000049084101	KIT,HARDWARE,C776I,DISPLAY-C	901
PPP00000CATN019125	SCREW, SKHD,10-24 X 1.25,BLK SHARPE	903
PPP00000HCCN031100	SCREW, HEX, GR 5, 5/16-18 X 1.0, ZN	905
PPP00000TFMN025050	SCREW, BUTTONHEAD, 1/4-20 X 1/2, ZN	906
PPP00000WBCN031007	WASHER,FLT,5/16X.688X.065, ZN	907
PPP00000MGCN016075	SCREW,MCH,8-32X3/4,PANHD,PHIL,	908
PPP000000049239106	LITERATURE KIT, C776I, DISPLAY-C, E	999